

SPECIFICATION SHEET FOR HCN SENSOR TYPE HCN/C-100

PERFORMANCE CHARACTERISTICS

Nominal Range	0 – 100 ppm
Maximum Overload	n.d
Expected Operation Life	2 years in air
Output Signal	600 ± 150 nA/ppm
Resolution	0,2 ppm
Temperature Range	- 20 °C to 50 °C
Pressure Range	Atmospheric ± 10%
Pressure Coefficient	No data
T ₉₀ Response Time	< 20 sec
Relative Humidity Range	15 % to 90 % R.H. non-condensing
Typical Baseline Range (pure air, 20°C)	< 0,2 ppm
Maximum Zero Shift	n.d.
Long Term Output Drift	n.d
Recommended Load Resistor	10 Ohm
Bias Voltage	Not required
Repeatability	< 2 % of signal
Output Linearity	Linear

PHYSICAL CHARACTERISTICS

Weight	~ 13 g
Position Sensitivity	None
Storage Life	Six months in container
Recommended Storage Temperature	5 °C – 20 °C
Warranty Period	12 months from date of dispatch

CROSS-SENSITIVITY DATA

Interfering Gas	Concentration	Reading
CO	100 ppm	~ 2 ppm
H ₂ S	15 ppm	~ 25 ppm
SO ₂	20 ppm	~38 ppm
NO	35 ppm	0 ppm
NO ₂	5 ppm	~ -12 ppm
H ₂	100 ppm	~ 2 ppm
Ethylene	100 ppm	0 ppm

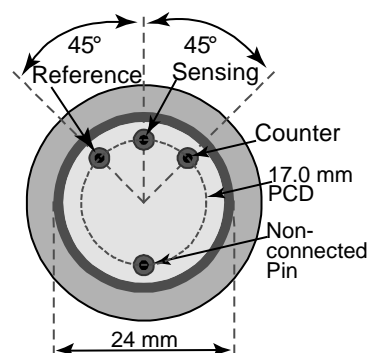
Performance data conditions:
20 °C, 50% RH and 1013 mbar

APPLICATIONS

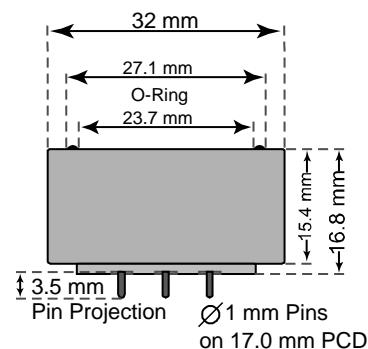
Safety and Environmental Control

Compact-Size Outline Dimensions

BOTTOM VIEW



SIDE VIEW



The data contained in this document is for guidance only. Membrapor AG accepts no liability for any consequential losses, injury or damage resulting from the use of this document or the information contained within it. The data is given for guidance only. Customers should test under their own conditions, to ensure that the sensors are suitable for their own requirements.