

PERFORMANCE (measured using Carbon Monoxide)

Range 0 - 200 ppm
 Sensitivity 95 - 105 nA/ppm ETO
 Zero in air at 20 °C -200 to +2500 nA
 Resolution 1 ppm ETO
 Linearity linear across range
 Response time, t90 <35 s
 Long-term output drift <2% signal/month
 Warranty 2 years

OPERATING CONDITIONS

Temperature range -20 to +50 °C
 Operating humidity 15 - 90% RH (non-condensing)
 Pressure range 90 - 110 kPa (nominal)
 Operating circuit see Electrochemical Toxic Sensor Application Note
 Applied potential +300 mV
 Storage life 6 months in original packaging (0 - 25 °C)

PHYSICAL CHARACTERISTICS

Label colour silver
 Weight 5 g approx.
 Dimensions see outline

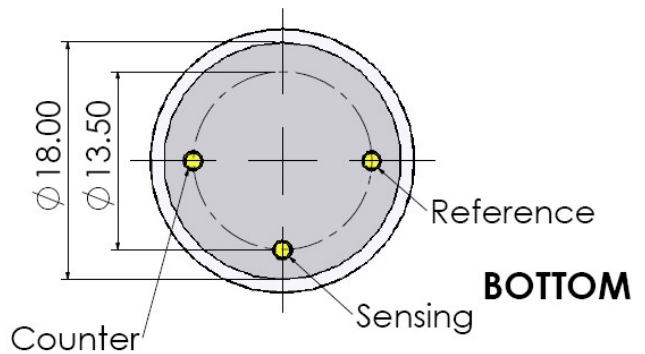
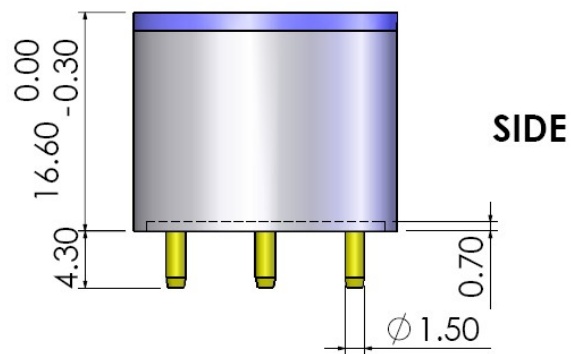
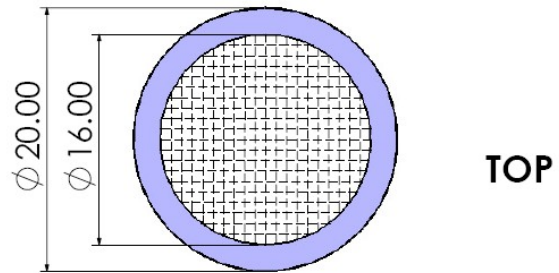
This device is designed to be RoHS compliant.

CROSS-SENSITIVITY DATA

GAS	Concentration ppm	Sensor Response (As ppm CO)
Carbon Monoxide	100	100
Ethylene Oxide	100	432
Ethanol	100	128
Methanol	100	502
Propan-1-Ol	100	53
Butan-1-ene	100	110
1,3 Butadiene	100	280
Ethene	100	290
Propene	100	155
Vinyl Chloride	100	194
Vinyl Acetate	100	124
Formic Acid	100	67

Note: This table is for reference only. Calibration should be carried out with the actual gas at a known concentration.

OUTLINE

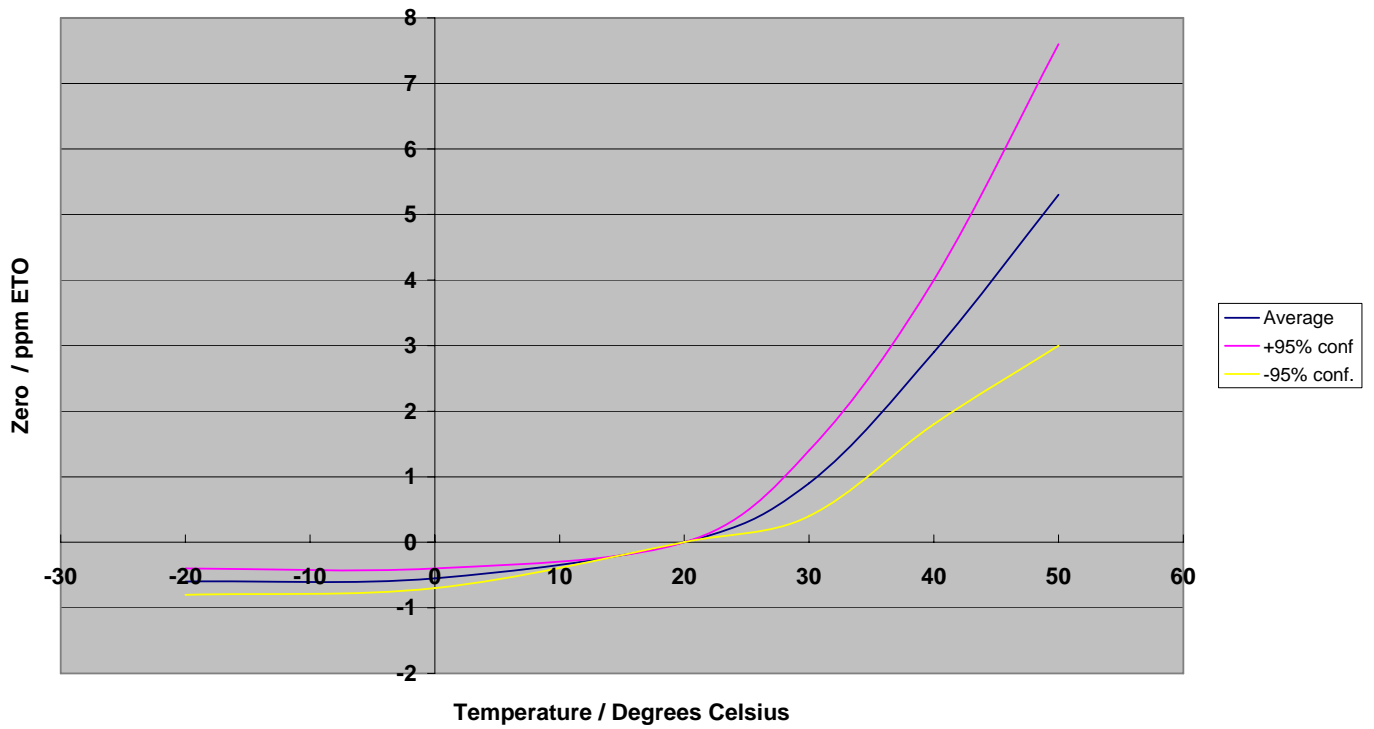


All dimensions in mm.
 All tolerances ± 0.15 mm unless otherwise stated.

Whilst e2v technologies has taken care to ensure the accuracy of the information contained herein it accepts no responsibility for the consequences of any use thereof and also reserves the right to change the specification of goods without notice. e2v technologies accepts no liability beyond the set out in its standard conditions of sale in respect of infringement of third party patents arising from the use of tubes or other devices in accordance with information contained herein.

TEMPERATURE DEPENDENCE

EC4-200-ETO Graph of Zero vs Temperature



EC4-200-ETO Graph of Sensitivity vs Temperature

